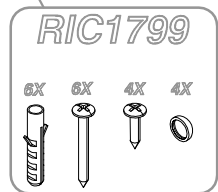


| | | |
|---------|---|---------|
| B3420 0 | ➔ | RIC2287 |
| B3422 0 | ➔ | RIC2289 |
| B3424 0 | ➔ | RIC2291 |
| B3426 0 | ➔ | RIC2293 |

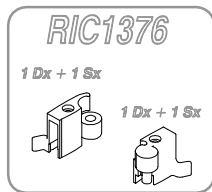


RIC879

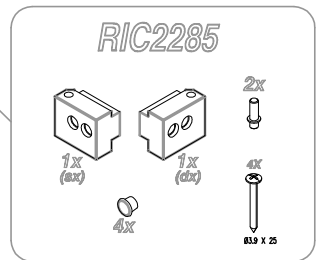
RIC877 1x



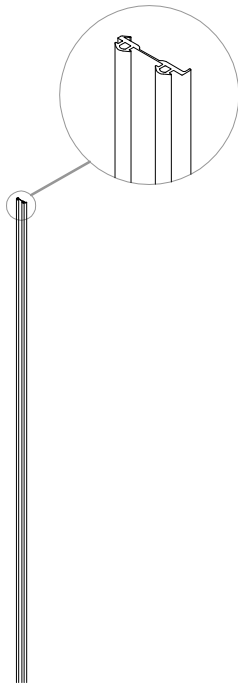
RIC2188



| | | |
|---------|---|---------|
| B3420 0 | ➔ | RIC2286 |
| B3422 0 | ➔ | RIC2288 |
| B3424 0 | ➔ | RIC2290 |
| B3426 0 | ➔ | RIC2292 |

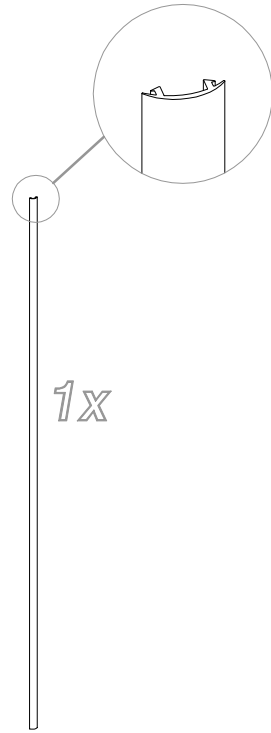


RIC2294



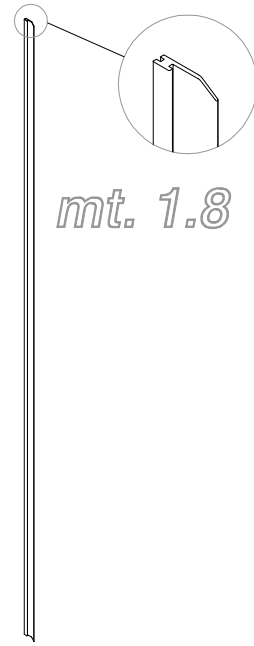
mt. 2

RIC877



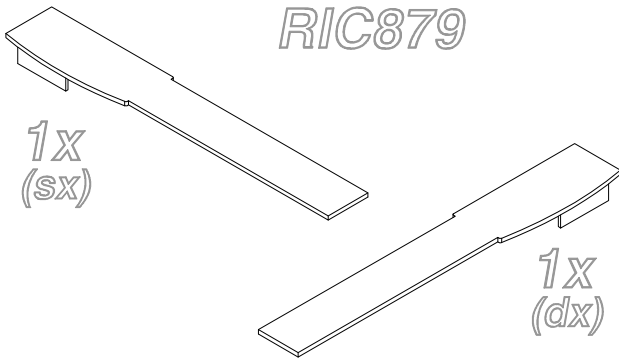
1x

RIC901



mt. 1.8

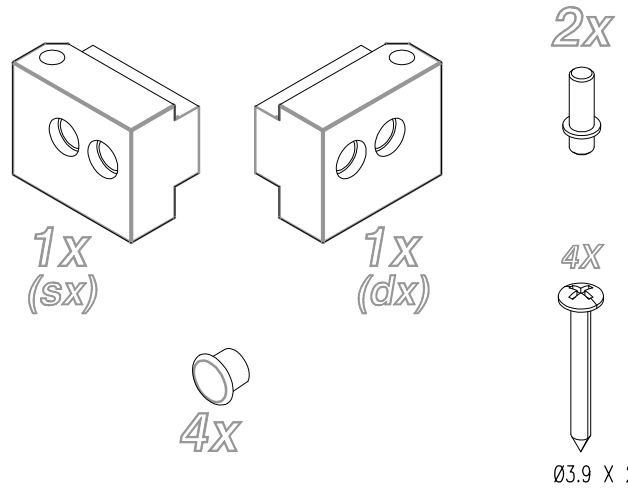
RIC879



1x (sx)

1x (dx)

RIC2285



1x (sx)

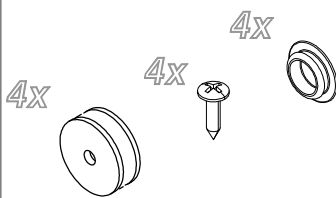
1x (dx)

2x

4x

Ø3.9 X 25

RIC627

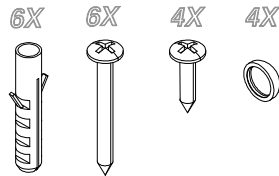


4x

4x

4x

RIC1799



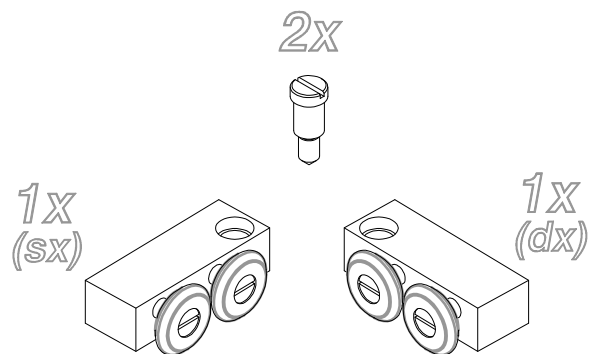
6x

6x

4x

4x

RIC2284



2x

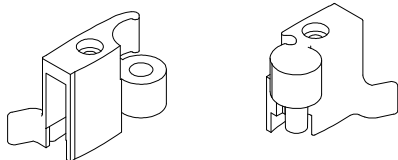
1x (sx)

1x (dx)

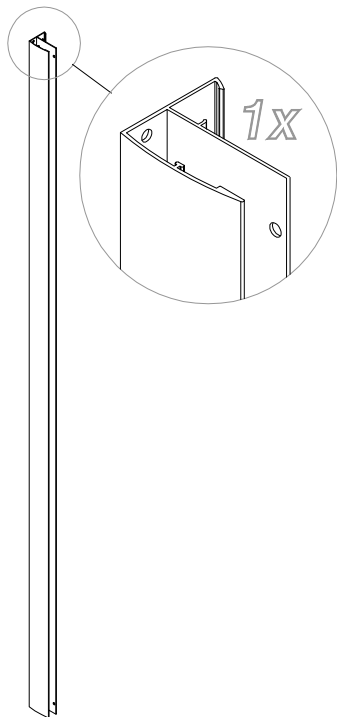
RIC1376

1 Dx + 1 Sx

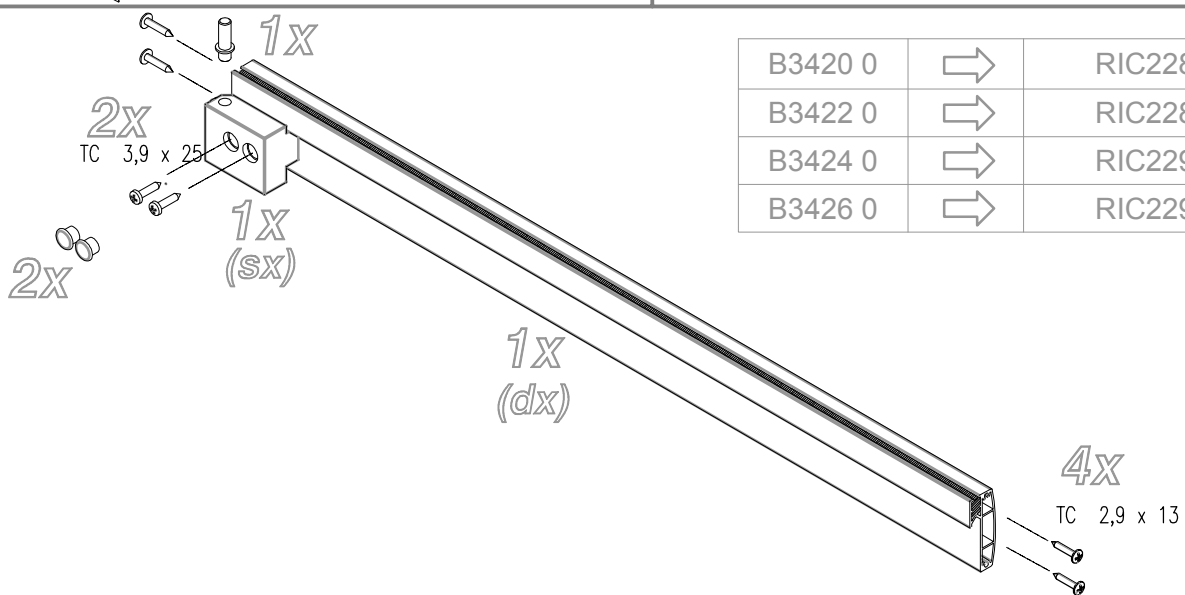
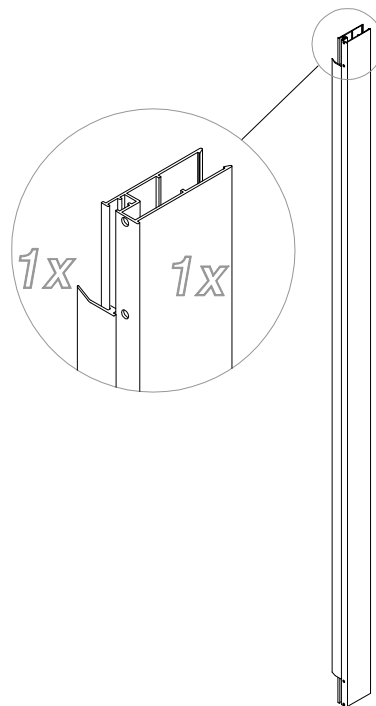
1 Dx + 1 Sx



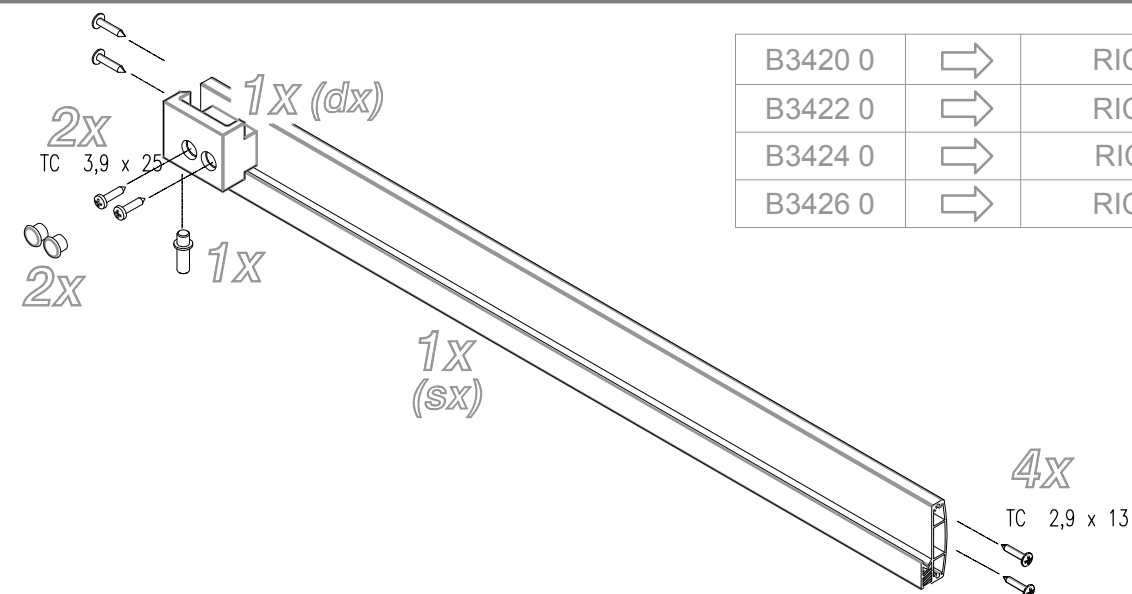
RIC1409



RIC2188



| | | |
|---------|---|---------|
| B3420 0 | ➔ | RIC2286 |
| B3422 0 | ➔ | RIC2288 |
| B3424 0 | ➔ | RIC2290 |
| B3426 0 | ➔ | RIC2292 |



| | | |
|---------|---|---------|
| B3420 0 | ➔ | RIC2287 |
| B3422 0 | ➔ | RIC2289 |
| B3424 0 | ➔ | RIC2291 |
| B3426 0 | ➔ | RIC2293 |