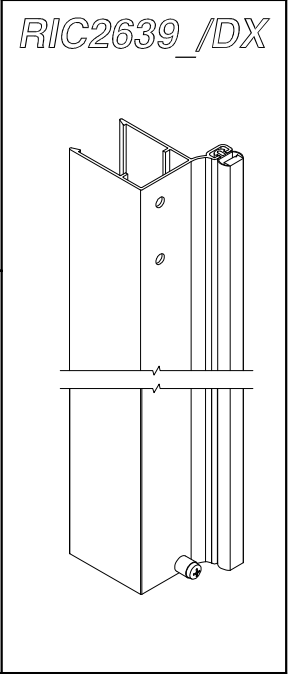
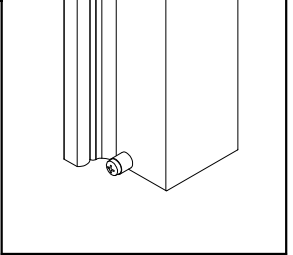
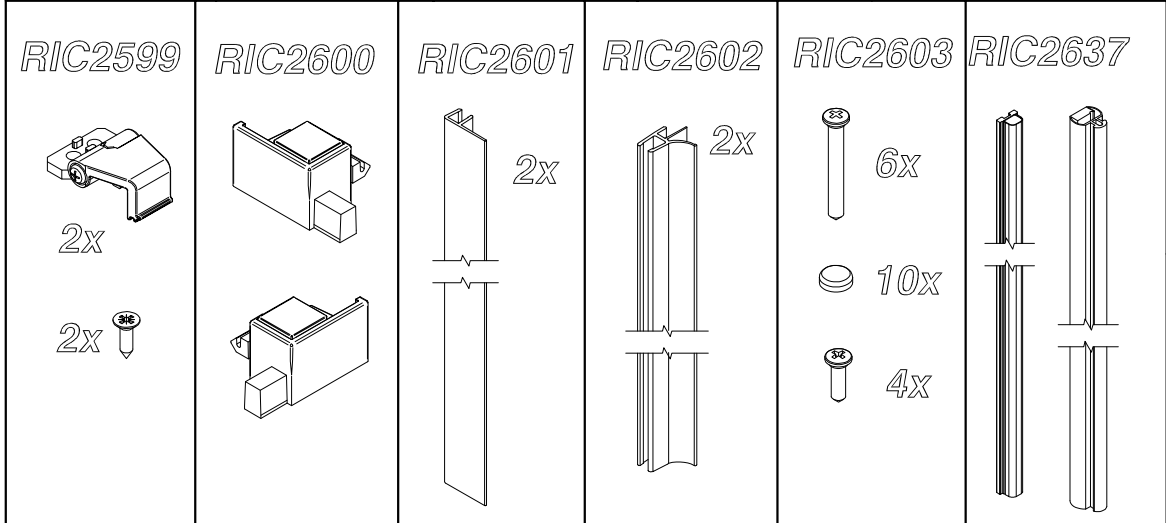
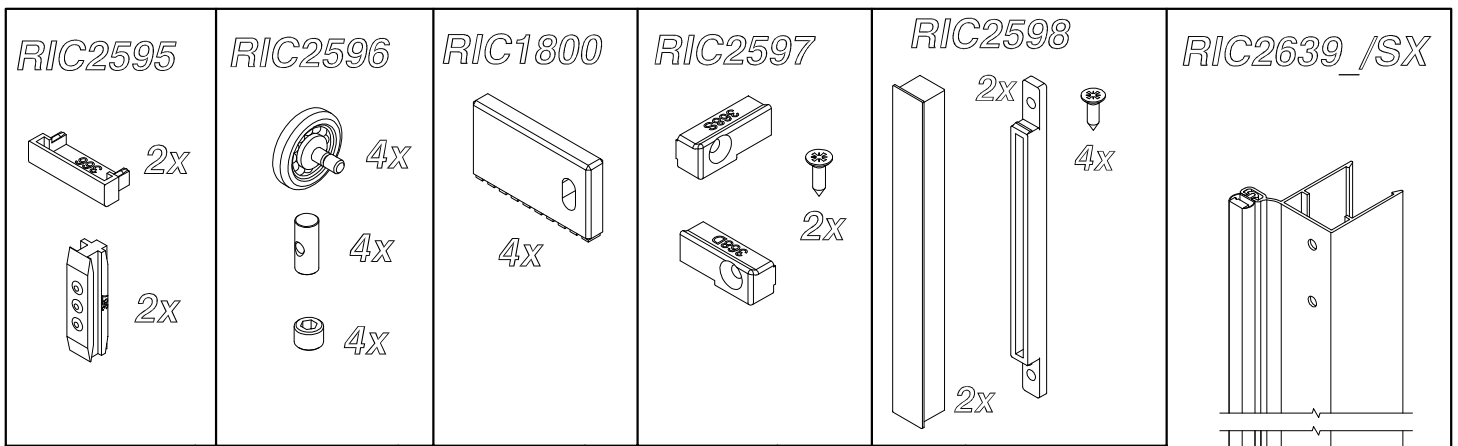


RIC2640	/SX -->	884mm SX B6340
RIC2641	/SX -->	923mm SX B6341
RIC2642	/SX -->	984mm SX B6342
RIC2643	/SX -->	1023mm SX B6343
RIC2644	/SX -->	1084mm SX B6344
RIC2645	/SX -->	1123mm SX B6345
RIC2646	/SX -->	1184mm SX B6346
RIC2647	/SX -->	1224mm SX B6347
RIC2648	/SX -->	1284mm SX B6348
RIC2649	/SX -->	1324mm SX B6349
RIC2650	/SX -->	1384mm SX B6350
RIC2651	/SX -->	1484mm SX B6351
RIC2652	/SX -->	1524mm SX B6352
RIC2653	/SX -->	1584mm SX B6354
RIC2654	/SX -->	1624mm SX B6356
RIC2655	/SX -->	1684mm SX B6358

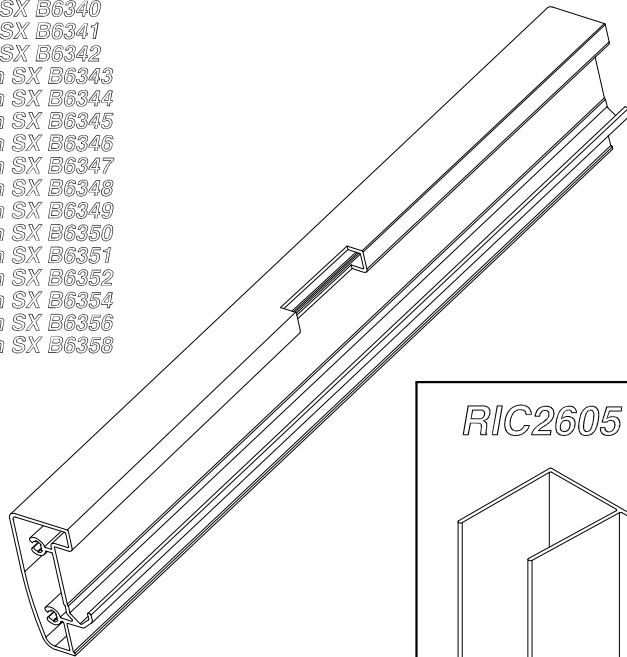
RIC2640	/DX -->	884mm DX B6340
RIC2641	/DX -->	923mm DX B6341
RIC2642	/DX -->	984mm DX B6342
RIC2643	/DX -->	1023mm DX B6343
RIC2644	/DX -->	1084mm DX B6344
RIC2645	/DX -->	1123mm DX B6345
RIC2646	/DX -->	1184mm DX B6346
RIC2647	/DX -->	1224mm DX B6347
RIC2648	/DX -->	1284mm DX B6348
RIC2649	/DX -->	1324mm DX B6349
RIC2650	/DX -->	1384mm DX B6350
RIC2651	/DX -->	1484mm DX B6351
RIC2652	/DX -->	1524mm DX B6352
RIC2653	/DX -->	1584mm DX B6354
RIC2654	/DX -->	1624mm DX B6356
RIC2655	/DX -->	1684mm DX B6358

RIC2656	-->	440mm B6340
RIC2633	-->	459mm B6341
RIC2657	-->	490mm B6342
RIC2635	-->	509mm B6343
RIC2658	-->	535mm B6344
RIC2659	-->	559mm B6345
RIC2660	-->	590mm B6346-47
RIC2661	-->	640mm B6348-49
RIC2662	-->	690mm B6350
RIC2663	-->	740mm B6351-52
RIC2664	-->	790mm B6354-56
RIC2665	-->	840mm B6358

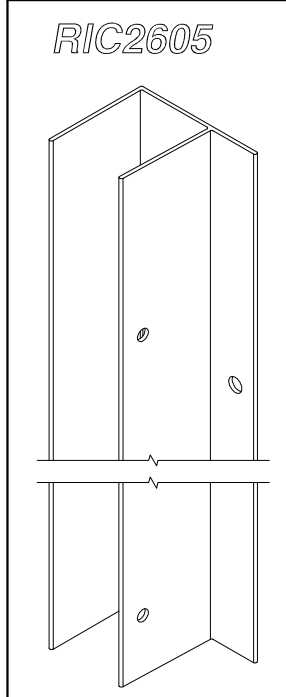
RIC2639 /DX



- RIC2640 /SX --> 884mm SX B6340
 RIC2641 /SX --> 923mm SX B6341
 RIC2642 /SX --> 984mm SX B6342
 RIC2643 /SX --> 1023mm SX B6343
 RIC2644 /SX --> 1084mm SX B6344
 RIC2645 /SX --> 1123mm SX B6345
 RIC2646 /SX --> 1184mm SX B6346
 RIC2647 /SX --> 1224mm SX B6347
 RIC2648 /SX --> 1284mm SX B6348
 RIC2649 /SX --> 1324mm SX B6349
 RIC2650 /SX --> 1384mm SX B6350
 RIC2651 /SX --> 1484mm SX B6351
 RIC2652 /SX --> 1524mm SX B6352
 RIC2653 /SX --> 1584mm SX B6354
 RIC2654 /SX --> 1624mm SX B6356
 RIC2655 /SX --> 1684mm SX B6358



- RIC2640 /DX --> 884mm DX B6340
 RIC2641 /DX --> 923mm DX B6341
 RIC2642 /DX --> 984mm DX B6342
 RIC2643 /DX --> 1023mm DX B6343
 RIC2644 /DX --> 1084mm DX B6344
 RIC2645 /DX --> 1123mm DX B6345
 RIC2646 /DX --> 1184mm DX B6346
 RIC2647 /DX --> 1224mm DX B6347
 RIC2648 /DX --> 1284mm DX B6348
 RIC2649 /DX --> 1324mm DX B6349
 RIC2650 /DX --> 1384mm DX B6350
 RIC2651 /DX --> 1484mm DX B6351
 RIC2652 /DX --> 1524mm DX B6352
 RIC2653 /DX --> 1584mm DX B6354
 RIC2654 /DX --> 1624mm DX B6356
 RIC2655 /DX --> 1684mm DX B6358



- RIC2656 --> 440mm B6340
 RIC2663 --> 459mm B6341
 RIC2657 --> 490mm B6342
 RIC2665 --> 509mm B6343
 RIC2658 --> 535mm B6344
 RIC2659 --> 559mm B6345
 RIC2660 --> 590mm B6346-47
 RIC2661 --> 640mm B6348-49
 RIC2662 --> 690mm B6350
 RIC2663 --> 740mm B6351-52
 RIC2664 --> 790mm B6354-56
 RIC2665 --> 840mm B6358

